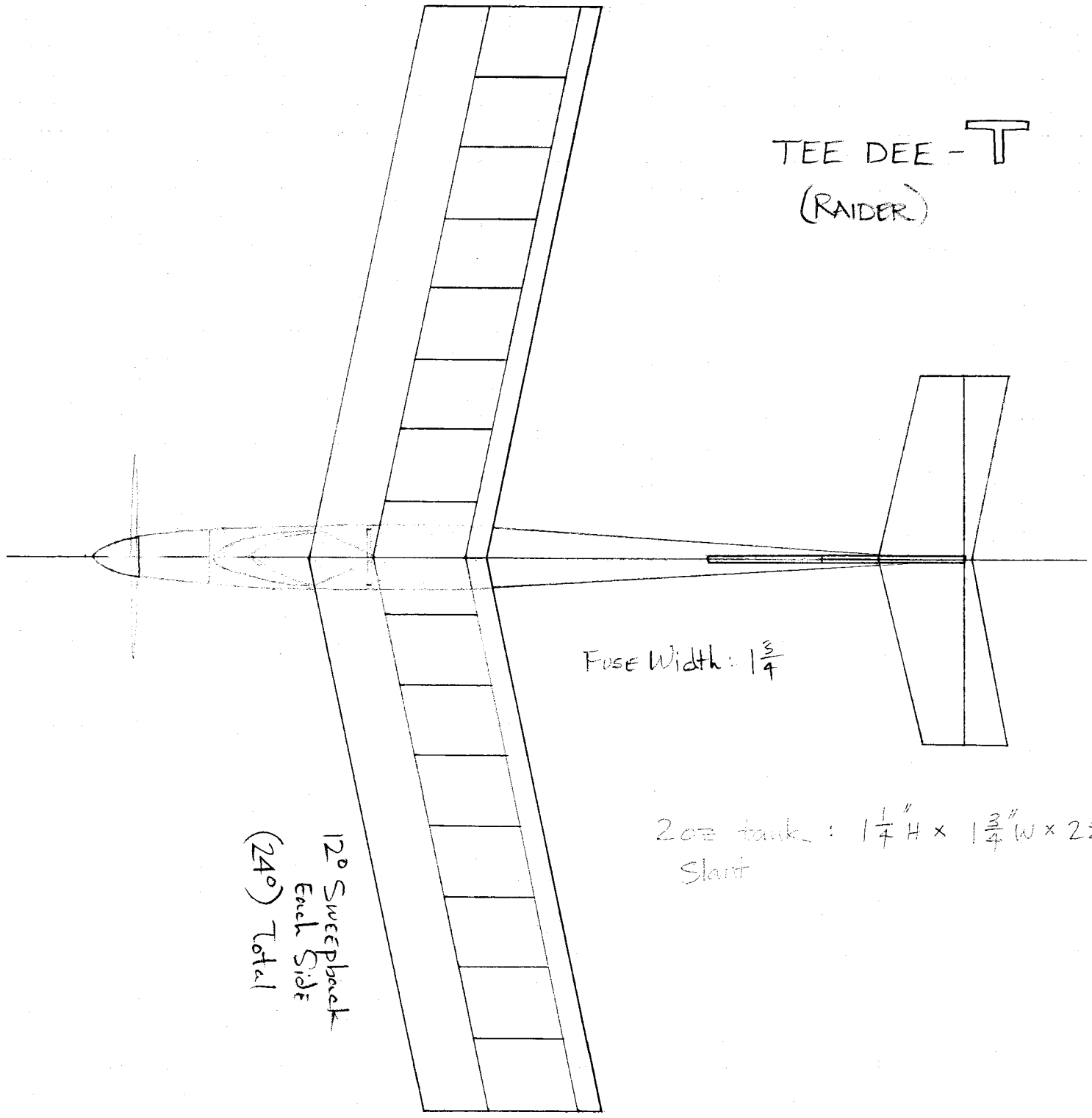


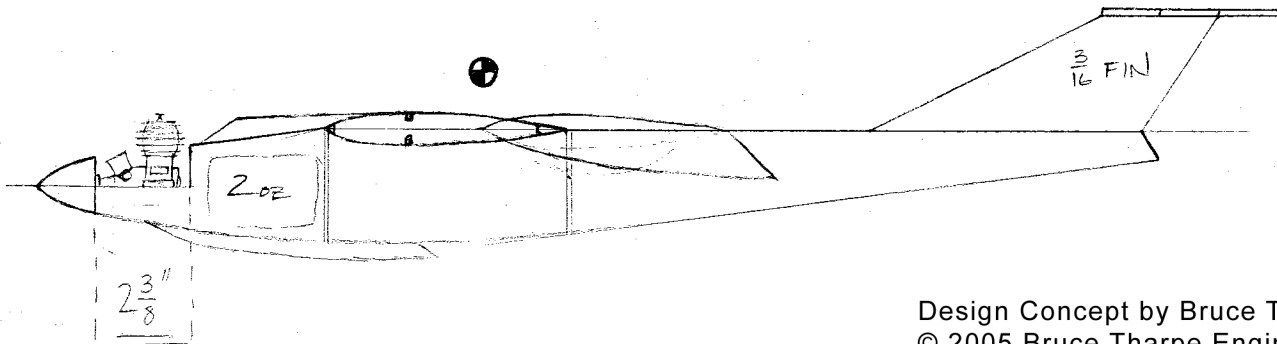
TEE DEE - T
(RAIDER)



Fuse Width: $1\frac{3}{4}$

2oz tank: $1\frac{1}{4}$ " H x $1\frac{3}{4}$ " W x $2\frac{3}{4}$ " L
Slant

12° Sweepback
Each Side
(24° Total)



$\frac{3}{16}$ FIN

$2\frac{3}{8}$ "

Design Concept by Bruce Tharpe
© 2005 Bruce Tharpe Engineering
All Rights to this Design Concept are
Reserved by Bruce Tharpe and BTE.