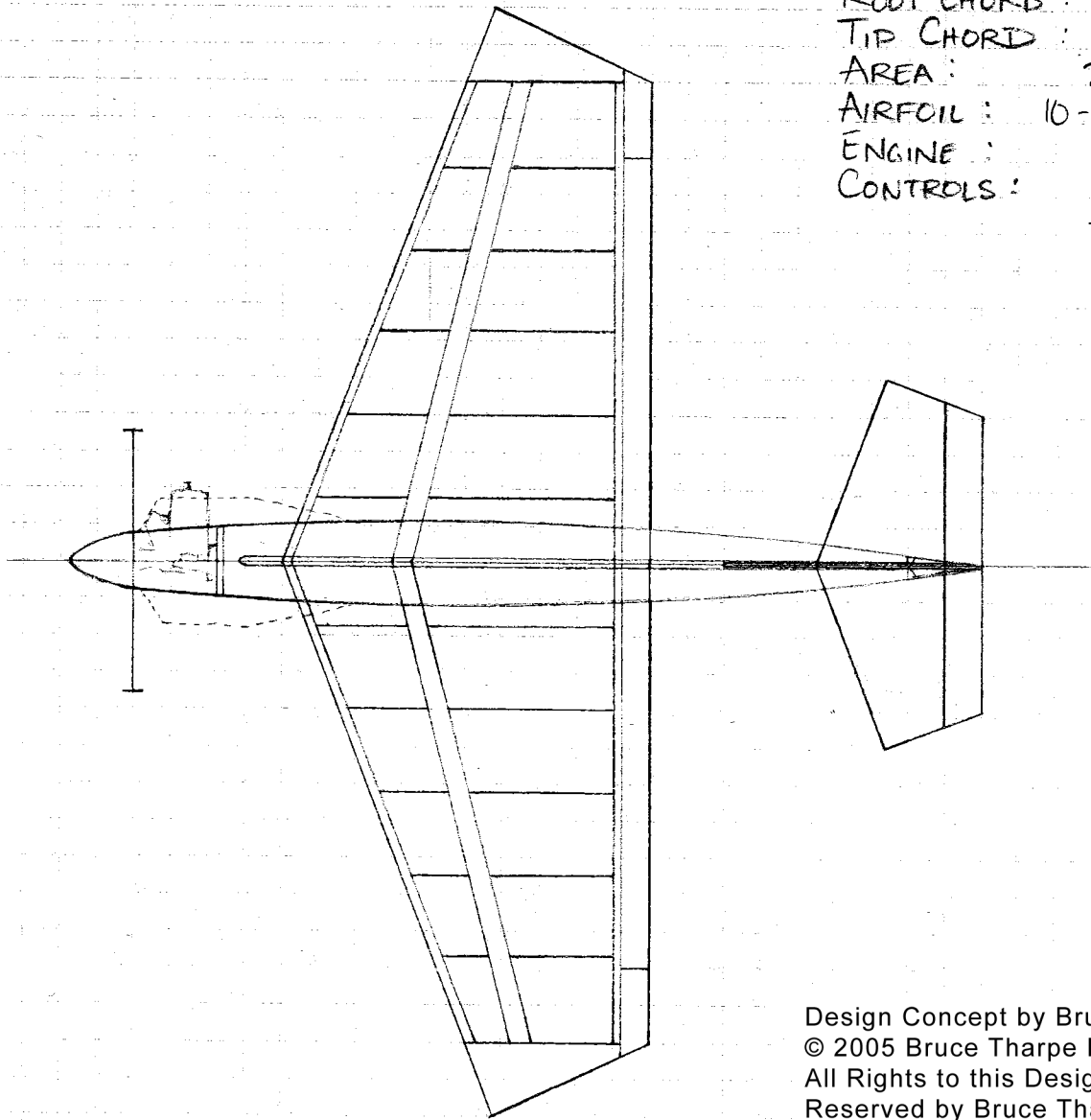


RACER/SPORT

SPAN : 30 IN
ROOT CHORD : 10 IN
TIP CHORD : 5 IN
AREA : 205 SQ IN
AIRFOIL : 10-12% S-SYMM
ENGINE : .09-.10
CONTROLS : ELEVATOR
AILERON
RUDDER
THROTTLE



Design Concept by Bruce Tharpe
© 2005 Bruce Tharpe Engineering
All Rights to this Design Concept are
Reserved by Bruce Tharpe and BTE.

