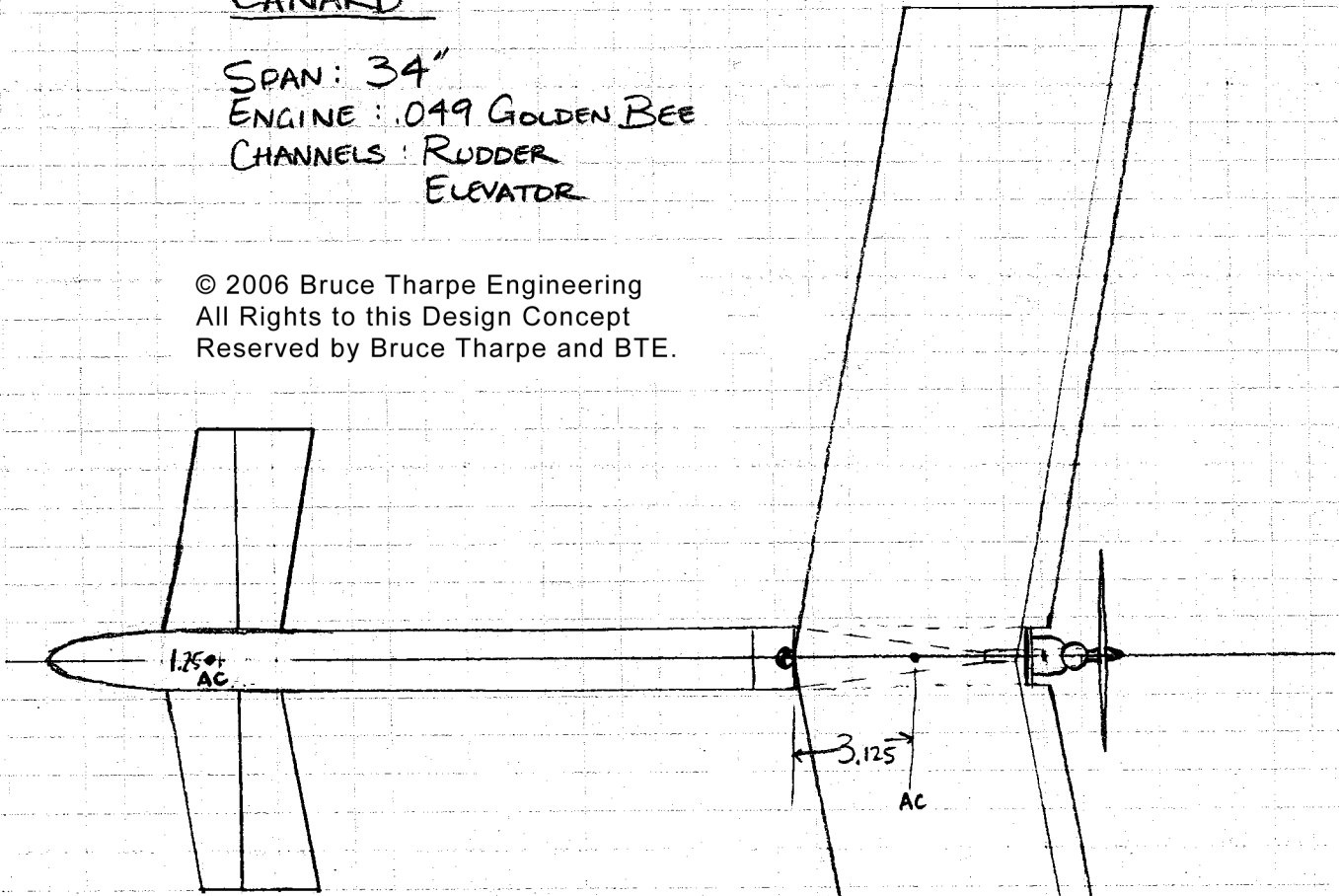


# CANARD

SPAN: 34"  
ENGINE: .049 GOLDEN BEE  
CHANNELS: RUDDER  
ELEVATOR

© 2006 Bruce Tharpe Engineering  
All Rights to this Design Concept  
Reserved by Bruce Tharpe and BTE.



## COMMENTS -

Throw together quickly  
plans not even needed  
BE SURE TO HAVE 3-5°  
incidence on canard. No  
landing gear, just skids  
This is for research - Find  
problems and make new one

